

Installation manual

No. 7384

09/16

Aluminium 2-Leaf Gate Access Range

Inter-wall installation on existing posts



(Document reserved for installers)

Contents

Equipment required for installation p.2

Installation instructions p.3

Cabling diagram (if motorized gate) p.4

Inter-wall installation on existing posts:

- Check the worksite dimensions p.4
- Check the level 0, and that the posts are plumb and correctly aligned:..... p.5
- Adjust the hinges p.5
- Measure the "X" dimension p.6
- Attach the bottom hinges p.6
- Position the top hinges on the "X" dimension..... p.7
- Identify the leaves p.7
- Attach the leaves, ensure they are level and plumb p.7
- Attach the central stop..... p.9
- Install the handles and the strike plate p.9
- Install the universal stops (for manual version)..... p.10
- Fit the operator arm p.10

Equipment required for installation

- | | | |
|---|--|---|
| <ul style="list-style-type: none"> - Hammer drill - Set of steel/concrete drill bits - Electric screwdriver with end-pieces - Allen keys + Flat wrenches - Screwdriver | <ul style="list-style-type: none"> - Hammer/chisel - Spirit level - Plumb bob - Hacksaw - Angle grinder | <ul style="list-style-type: none"> - Tape measure - Appropriate screws and pins for the supports - 10 mm shims |
|---|--|---|
- or
- 2-Leaf installation kit

Installation instructions



CAUTION!

To ensure that this product is assembled, used and maintained in complete safety, it is important to follow the instructions provided in this document. For everyone's safety, please observe the precautionary measures below.

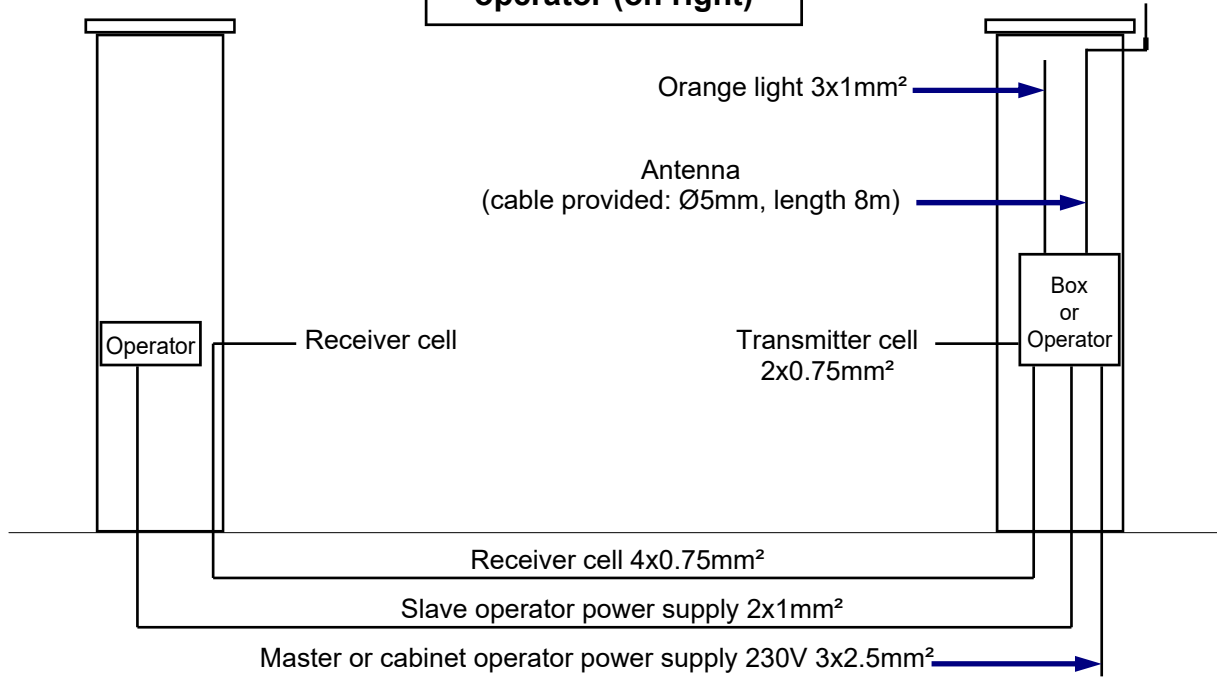


- * Before beginning the assembly, read this manual carefully.
- * This closure must be installed by a professional technician.
- * All the parts delivered are specifically sized for this product. Adding and/or using other parts may be detrimental to safety and may affect the product's warranty.
- * Any modification or improvement of this closure must be compliant with the standard EN 13241-1 + A1. In this case, a "modification/transformation" file must be created by the installer as per the standard EN 12635 annex C.
- * Use the appropriate tools to install these products. Ensure that the work is carried out on a stable floor.
- * Ensure that the assembly area is clear, clean and clearly marked out.
- * Ensure that no other people are present at the assembly site apart from the installers. Non-authorized persons (children for example!) who are present at the site risk injury during assembly.
- * All the components of this closure must be installed in compliance with the installation instructions provided in this manual.
- * All the requirements of the standards EN 13241-1 + A1 must be met and verified if necessary.

Cabling diagram (if motorized gate)

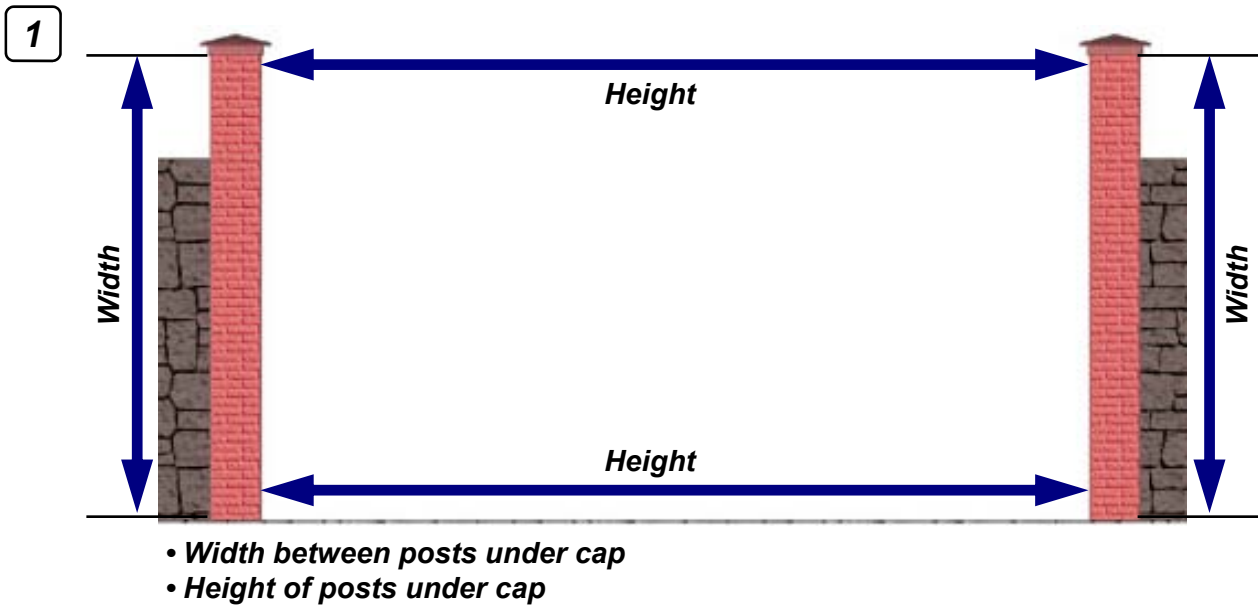
Refer to the relevant motorization manual

Example: master operator (on right)

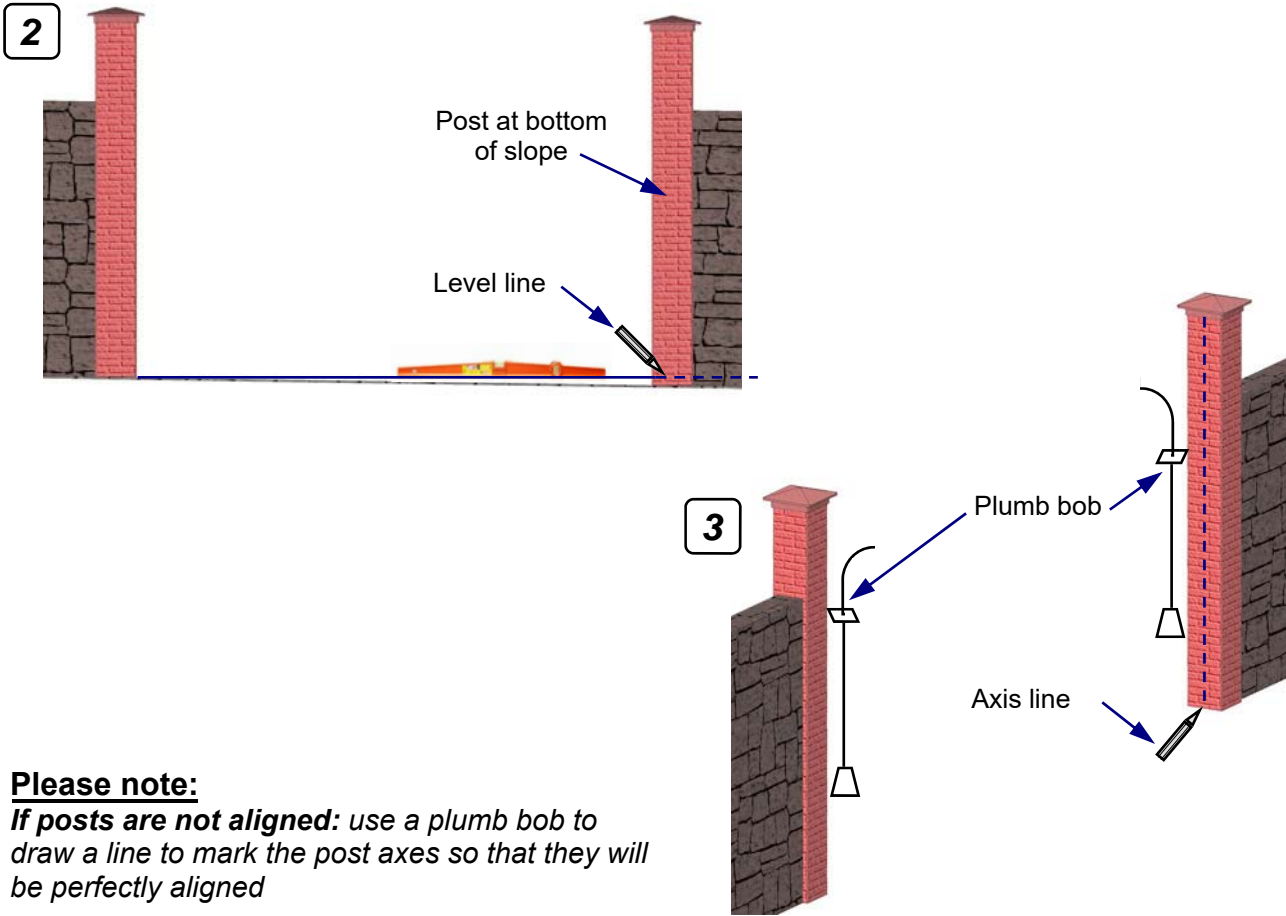


Inter-wall installation on existing posts

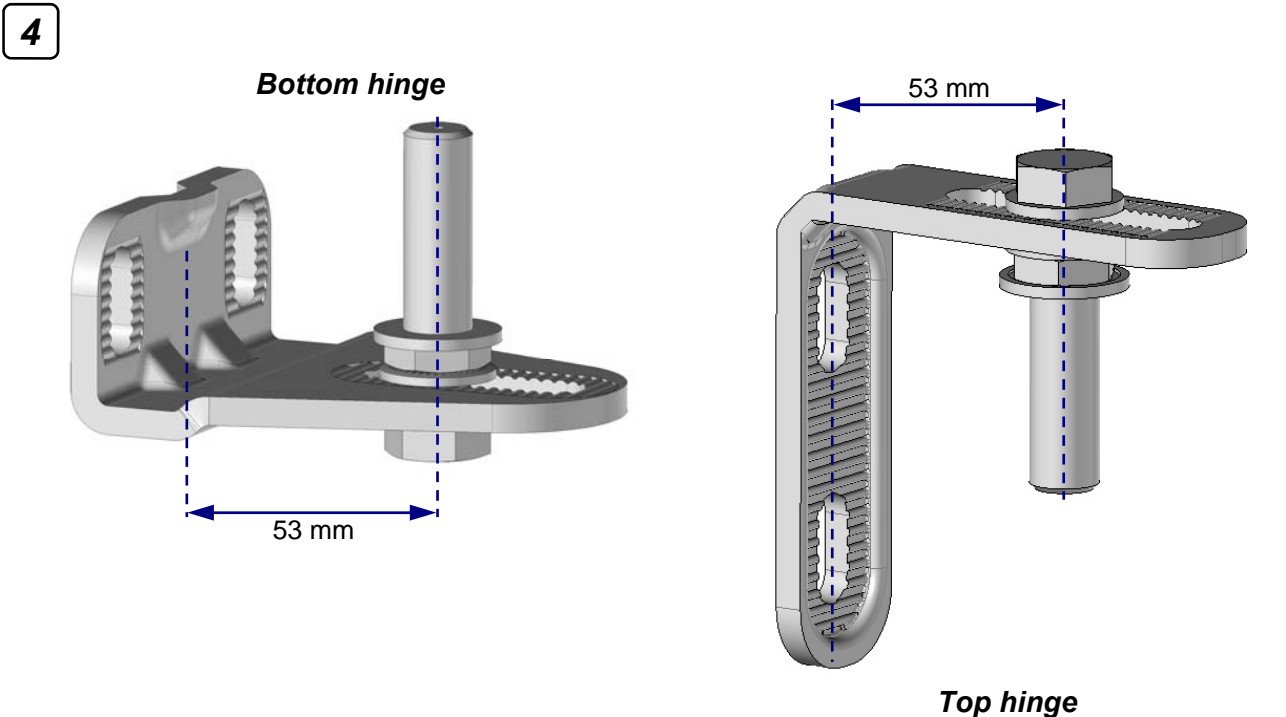
Check the worksite dimensions



Checking the level 0, and that the posts are plumb and correctly aligned

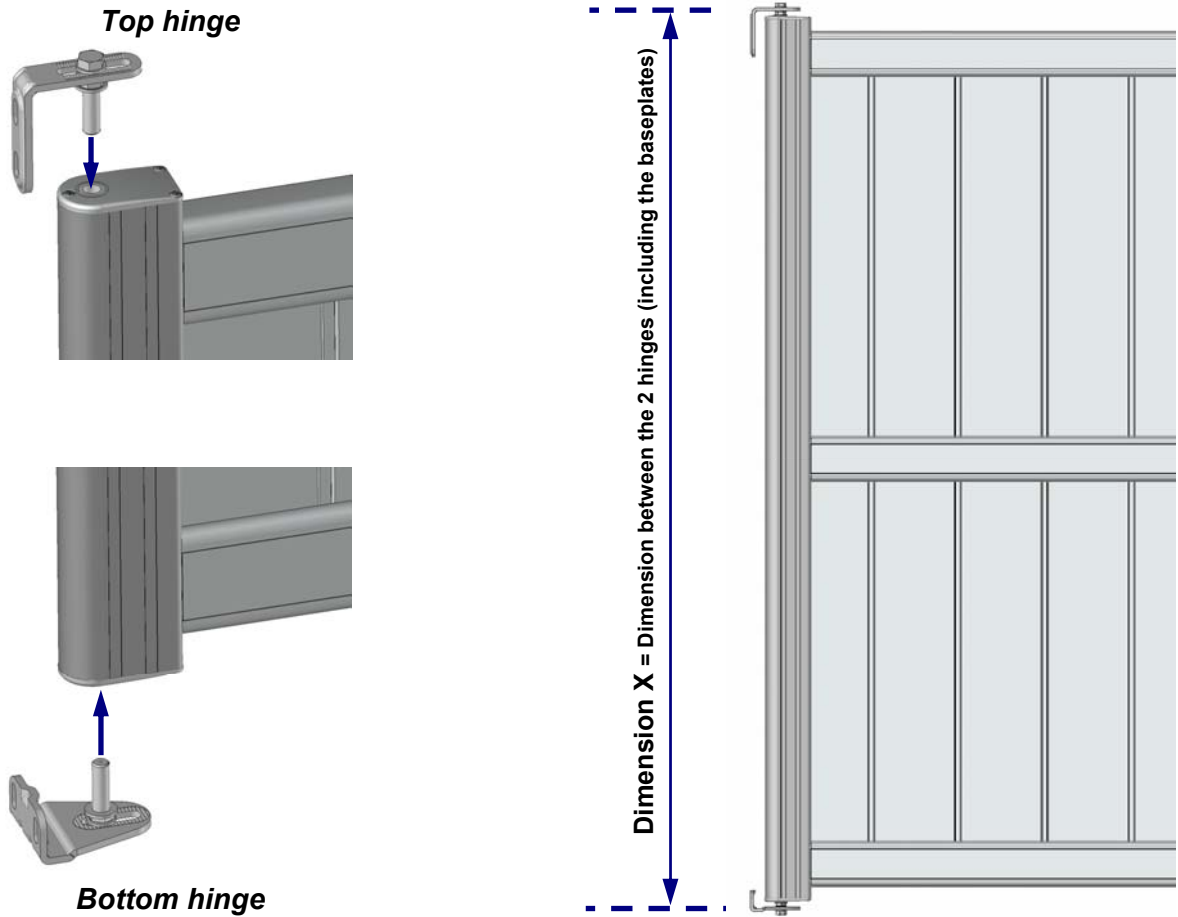


Adjust the hinges



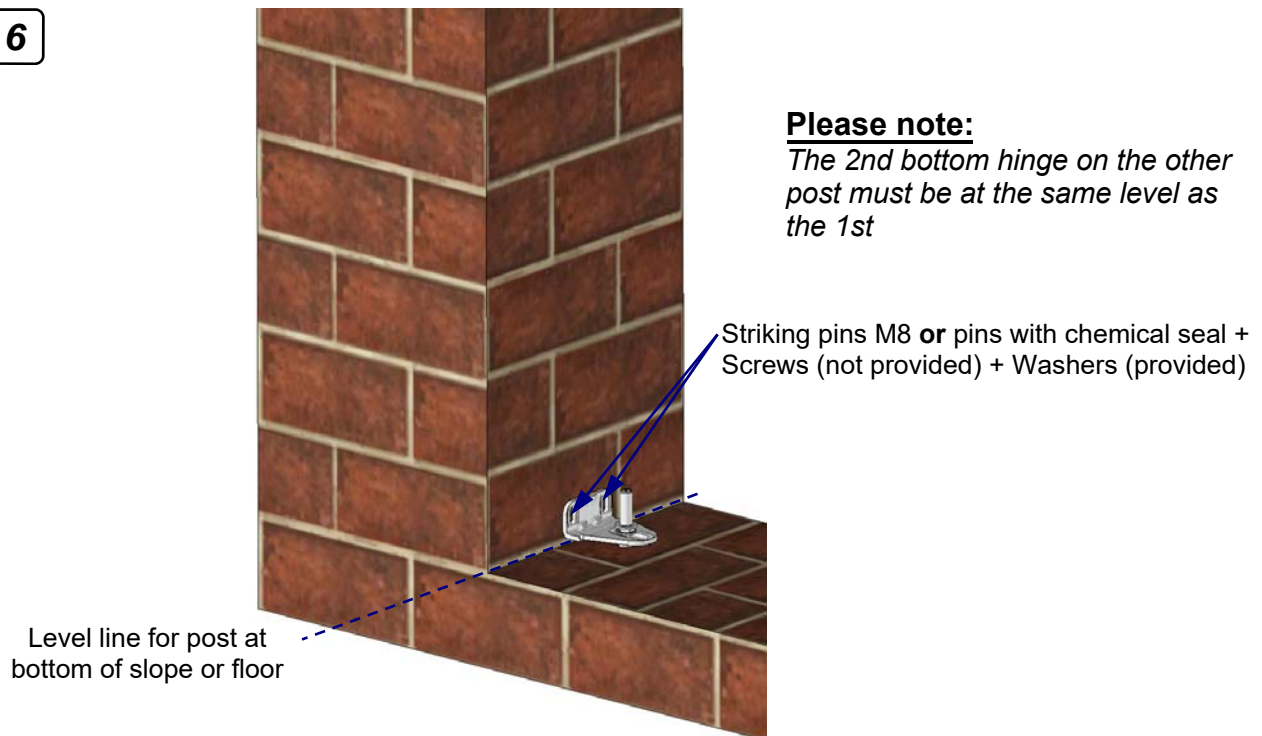
Measure the "X" dimension

5



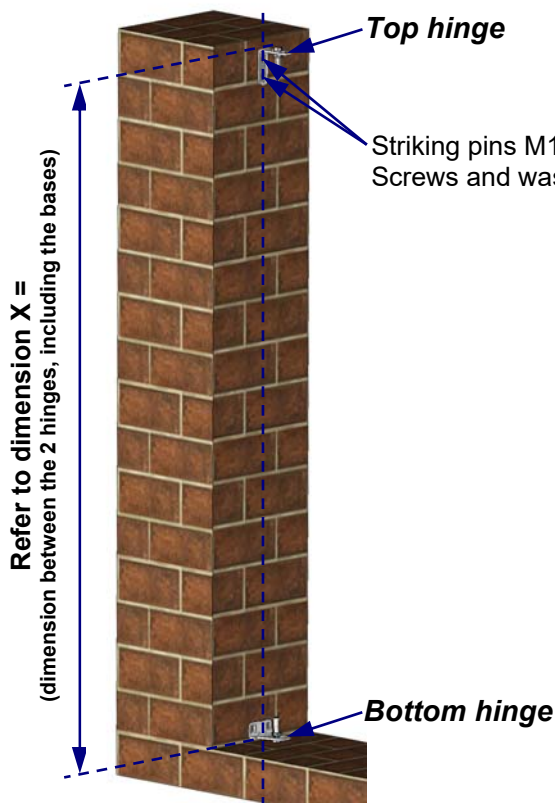
Attach the bottom hinges

6



Position the top hinges on the "X" dimension

7



• Identify the holes to be drilled in order to attach the top hinge afterwards.

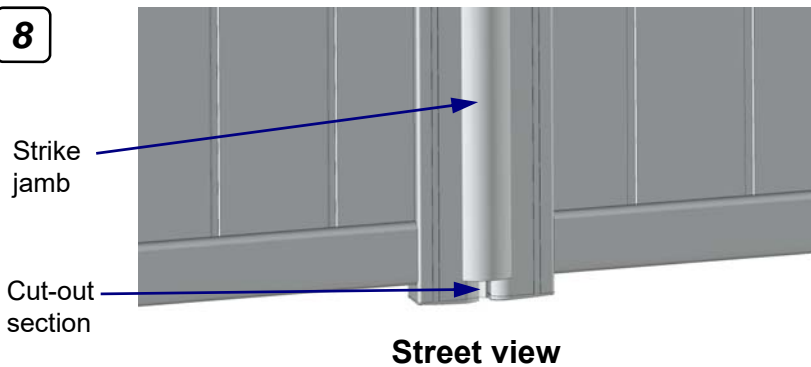
Striking pins M10 or pins with chemical seal + Screws and washers (not provided)

Please note:

The 2nd top hinge on the other post must be at the same level as the 1st and the "X" dimension must be identical on both posts.

Identify the leaves

8

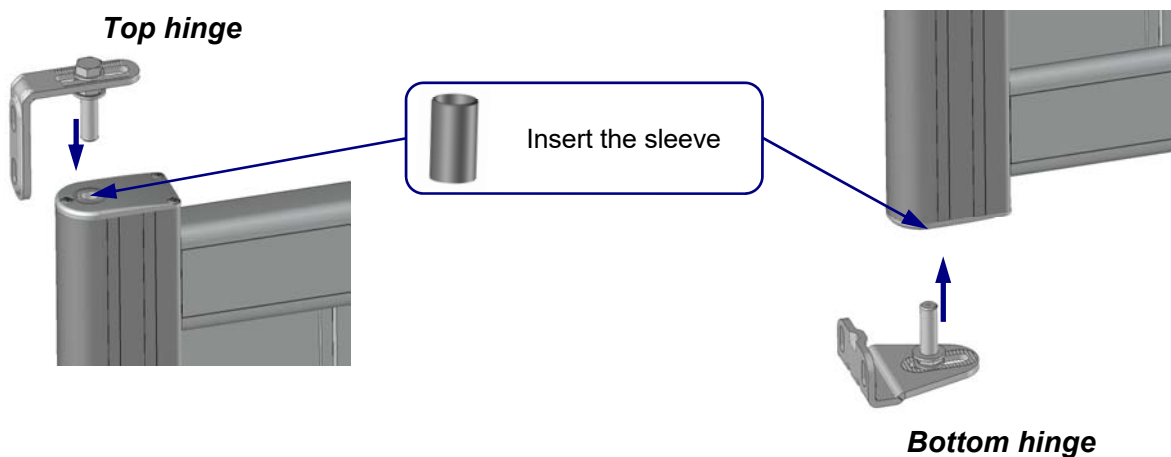


• Identify the left and right leaves (street view) depending on your order.

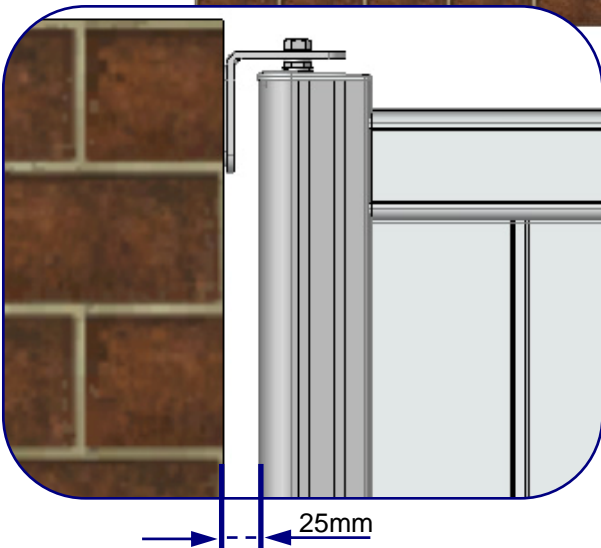
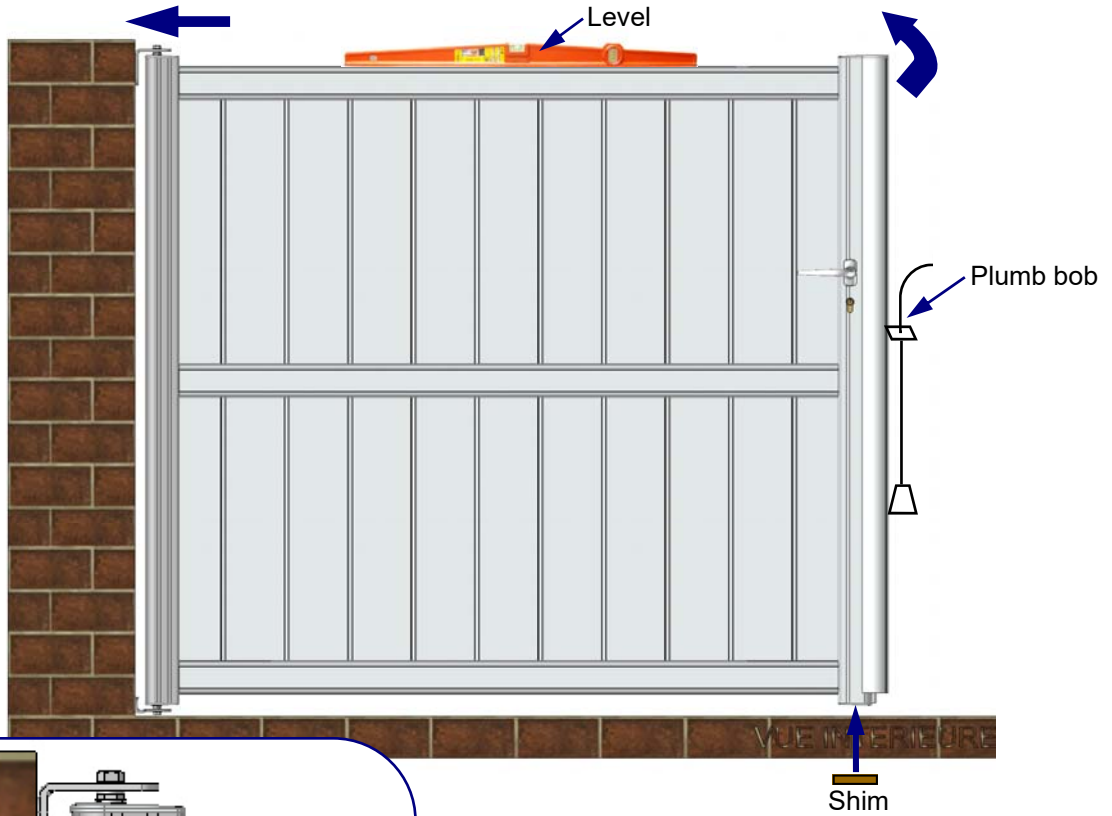
Street view

Attach the leaves, ensuring that they are level and plumb

9



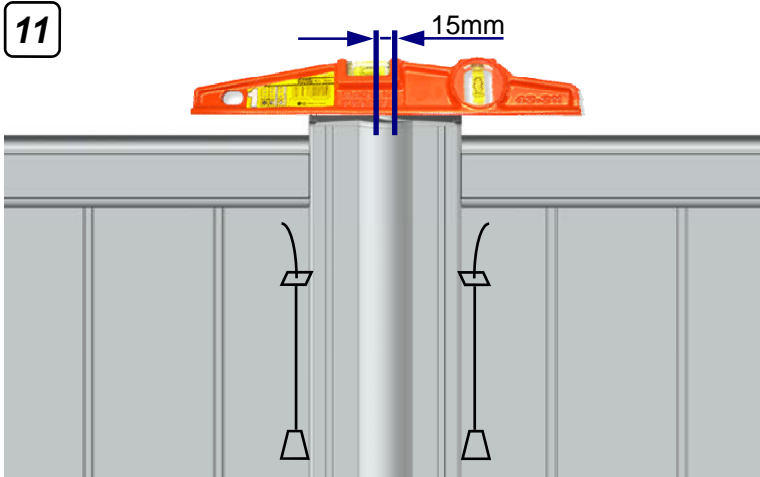
10



Please note:

When moving the leaf, insert a shim under the column so that the top hinge can be attached to the post. Then adjust the level and ensure the leaf is plumb, by checking the 25 mm dimension.
 - Install the 2nd leaf by repeating the process in this chapter.

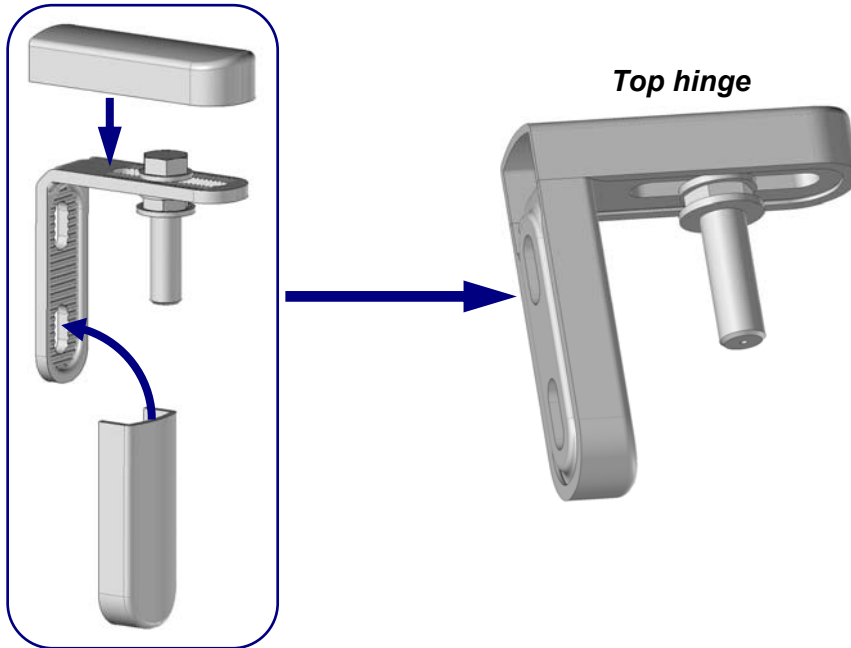
11



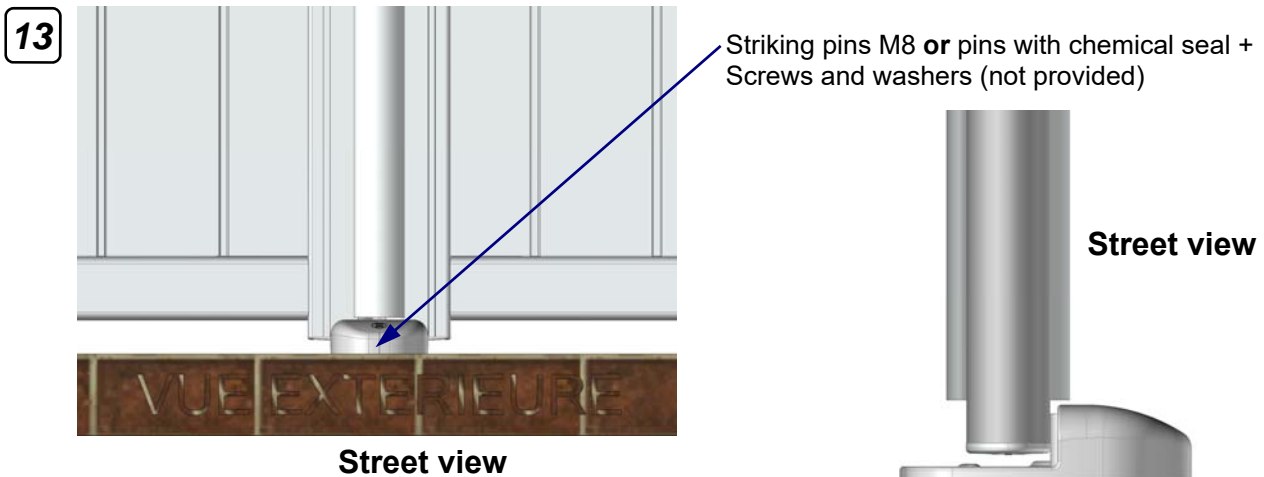
Please note:

If the leaves are not level or plumb, adjust them by adjusting the hinge settings.

- 12** • Once the adjustment is complete, put the plastic covers on the top hinges.



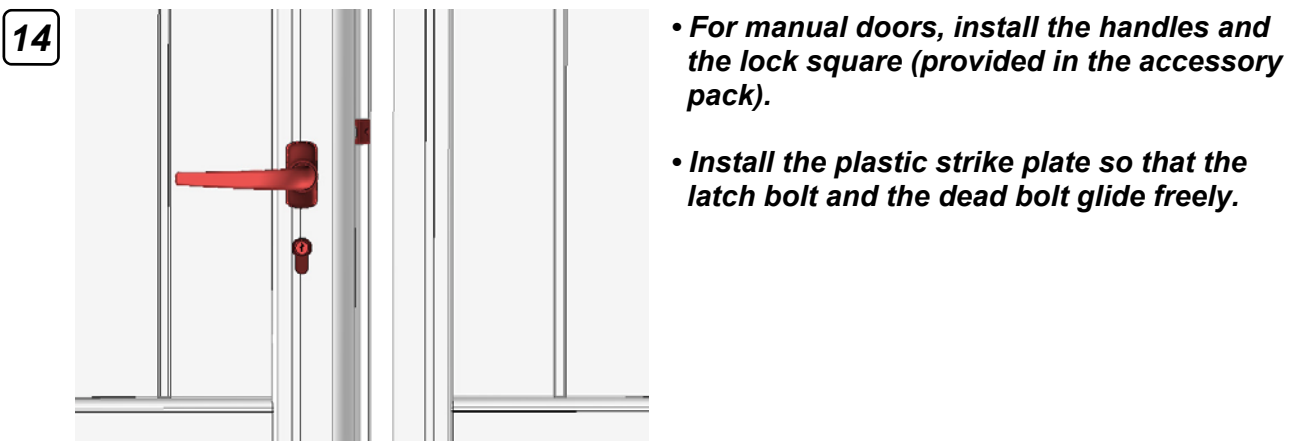
Attach the central stop



Please note:

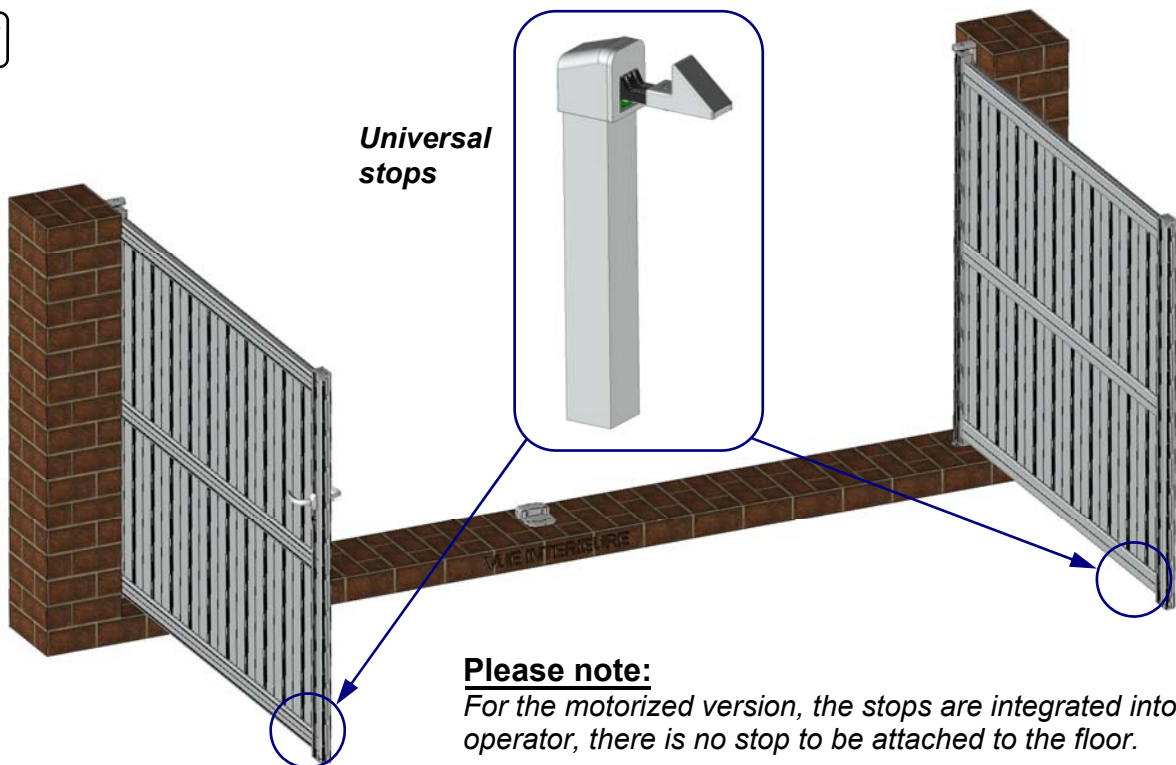
If the stop is not in contact with the leaves, move it up higher.

Install the handles and the strike plate



Installing the universal stops (for manual version)

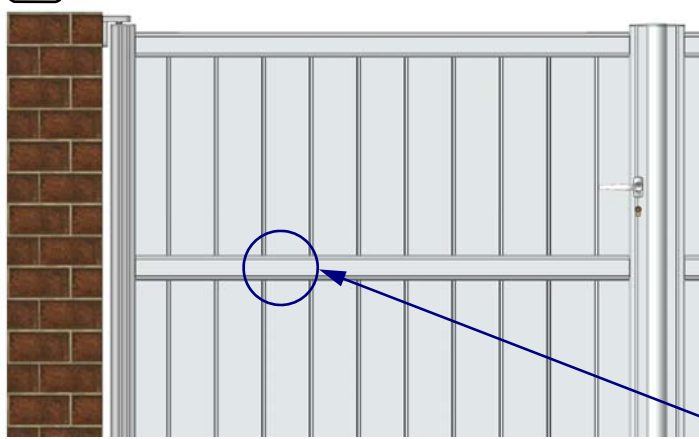
15



• For motorized gates, refer to the installation manuals of the operator being used.
Please note: To attach the operator arm to the gate transom, follow the instructions in the chapter below.

Fitting the operator arm

16



Stainless steel sheet metal screws TH 6.3x38+
Flat Stainless steel washers 6.4x14 (provided)

